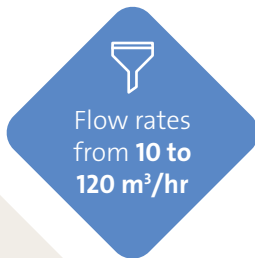


BERKAL™ Filter

Disc Filtration

Berkal™ disc filtration systems remove contaminants such as fibres, grit, sand and algae.



FEATURES & BENEFITS

- Compact systems with high flow and retention capacities
- Automatic backwashing of individual filters based on time or pressure differential; continual flow, optimised backwash water usage
- Modular design, choice of filtration grades from 20 to 400 µm; highly scalable, flexible
- Combines screen filtration and depth filtration to ensure high contaminant removal rates
- No consumables; low running costs, minimal maintenance
- Corrosion resistant polypropylene pipework



APPLICATIONS

- Side stream filtration of cooling tower water
- Pre-treatment to softeners, ion exchangers or membrane systems
- Feed water for irrigation systems
- Prevention of corrosion and blockages within pipework, valves, distributors and other equipment
- Municipal wastewater
- Aquaculture

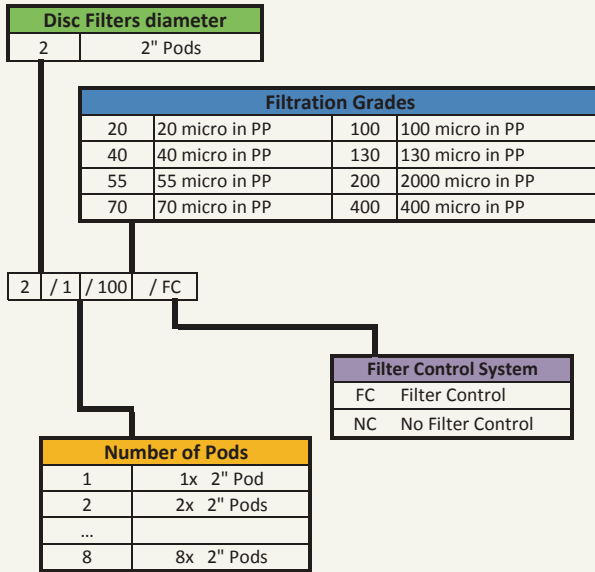


OPTIONS

- Filtration grades (µm): 20, 40, 55, 70, 100, 130, 200, 400
- Backwashing: air aided flushing (standard), internal or external flushing piping: plastic coated steel, stainless steel



System nomenclature



Operating Data

Maximum Operating Pressure	10 bar
Minimum Downstream Pressure	1 bar
Maximum Temperature	60°C
Recommended Air Quality	270l/min at 6-8 bars

Backwash Data

Backwash volume without Air	12 l
Recommended Air Quality	270l/min at 6-8 bars

System Performance

Number of 2" pods	Maximum recommended Flow rate (m³/h)*			Empty weight (kg)	Diameter Inlet/outlet in mm	System Length (A) in mm	System Width (B) in mm	System Height (C) in mm
	Filtration level							
	20µm	55µm	100µm					
2	10	20	30	59	80 (3")	941 (37")	868 (34")	1,128 mmµ (44")
3	15	30	45	73	100(4")	1,241 (49")		
4	20	40	60	89	100(4")	1,541 (61")		

*Flow rates are dependent on feed water quality

